

**60CM OVENS SERIES 7  
CONTEMPORARY STAINLESS STEEL**

---

# PLANNING GUIDE

---

**SERIES 7**

**OVEN** | OB60SD9PLX1, OB60SD16PLX1

**COMBINATION STEAM OVEN** | OS60NDLX1

**FISHER & PAYKEL**

This comprehensive Planning Guide provides you with the framework and tools to achieve your desired design outcome with Fisher & Paykel appliances. In this guide, you will find a range of conceptual, detailed and dimensional product information to bring your ideas to life and create spaces that truly reflect your vision.

### CONTENTS

CONCEPT DESIGN	PAGE	DEVELOPED AND DETAILED DESIGN	PAGE
<b>Specification Guides</b>		<b>Data Sheets</b>	
Oven 16 Functions	<b>4</b>	Oven	<b>10</b>
Oven 9 Functions	<b>5</b>	Combination Steam Oven	<b>11</b>
Combination Steam Oven	<b>7</b>		

---

The models shown in this Planning Guide may not be available in all markets and are subject to change at any time. Product specifications may vary from those shown. This Planning Guide should not be used as installation guidance for any product. Further information is required to safely and correctly install the products featured here. Specific installation guidance will be available on our website [fisherpaykel.com](https://fisherpaykel.com)

## SPECIFICATION GUIDE



### OVERVIEW

Designed to fit seamlessly into any kitchen with Contemporary styling, these ovens feature a generous 85L total capacity. Achieve perfect results with Aerotech™ technology which circulates heat evenly throughout the cavity, ideal for multi-shelf cooking. Beautiful to use, the intuitive interface and dial offer simple guided cooking, while Pyrolytic self-cleaning breaks down grime and grease, to keep the oven pristine for the next use.

### PRODUCTS

**OB60SD16PLX1** - Stainless Steel  
Oven, 60cm, 16 Function, Dial

### SERIES & STYLE

Series 7  
Contemporary



### FEATURES

- ① Contemporary style, designed to fit flush with cabinetry
- ② Generous 85L total capacity with six shelf positions
- ③ Intuitive 2.4" screen with illuminated dial
- ④ 16 ovens functions
- ⑤ Pyrolytic self-cleaning function breaks down food residue for an easy clean
- ⑥ Intuitive interface to ensure perfect results for your food type
- ⑦ Includes a Wired Temperature Accessory for precise realtime cooking monitoring
- ⑧ Optimised moisture levels thanks to AeroTech™ technology

### ACCESSORIES

- ① Full Extension Sliding Shelf\*
- ② Step Down Wire Shelf\*
- ③ Unperforated Aluminium Baking Tray\*
- ④ Roasting Dish\*
- ⑤ Wire Grill Rack\*
- ⑥ Wired Temperature Sensor\*

\*Included with product

The models shown in this Planning Guide may not be available in all markets and are subject to change at any time. Product specifications may vary from those shown. This Planning Guide should not be used as installation guidance for any product. Further information is required to safely and correctly install the products featured here. Specific installation guidance will be available on our website [fisherpaykel.com](http://fisherpaykel.com)



### OVERVIEW

Designed to fit seamlessly into any kitchen with Contemporary styling, these ovens feature a generous 85L total capacity. Achieve perfect results with Aerotech™ technology which circulates heat evenly throughout the cavity, ideal for multi-shelf cooking. Beautiful to use, the intuitive interface and dial offer simple guided cooking, while Pyrolytic self-cleaning breaks down grime and grease, to keep the oven pristine for the next use.

### PRODUCTS

**OB60SD9PLX1** - Stainless Steel  
Oven, 60cm, 9 Function, Dial

### SERIES & STYLE

Series 7  
Contemporary

### FEATURES

- ① Contemporary style, designed to fit flush with cabinetry
- ② Generous 85L total capacity with six shelf positions
- ③ Intuitive 2.4" screen with illuminated dial
- ④ 9 ovens functions
- ⑤ Pyrolytic self-cleaning function breaks down food residue for an easy clean
- ⑥ Intuitive interface to ensure perfect results for your food type
- ⑦ Optimised moisture levels thanks to AeroTech™ technology



### ACCESSORIES

- ① Step Down Wire Shelf\*
- ② Flat Wire Shelf\*
- ③ Unperforated Aluminium Baking Tray\*
- ④ Roasting Dish\*

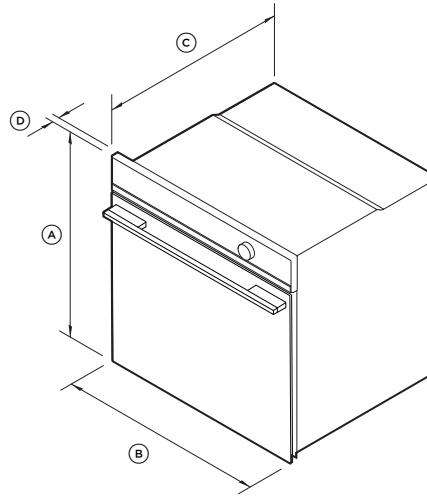
\*Included with product

The models shown in this Planning Guide may not be available in all markets and are subject to change at any time. Product specifications may vary from those shown. This Planning Guide should not be used as installation guidance for any product. Further information is required to safely and correctly install the products featured here. Specific installation guidance will be available on our website [fisherpaykel.com](http://fisherpaykel.com)

**SPECIFICATIONS**

<b>Model No.</b>	OB60SD16PLX1, OB60SD9PLX1
<b>Dimensions</b>	<b>H</b> 598mm <b>W</b> 596mm <b>D</b> 565mm
<b>Total Oven Capacity</b>	85L
<b>Weight</b>	
Packaged	51kg
Unpackaged	32kg
<b>Electrical</b>	
Supply	220-240 V, 50 Hz
Service	16 A

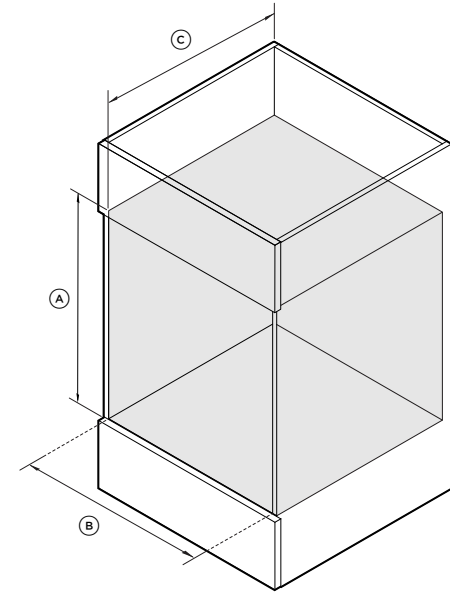
**PRODUCT DIMENSIONS**



ISO VIEW

	mm
(A) Overall height	598
(B) Overall width	596
(C) Depth of chassis	545
(D) Thickness of oven control panel (excl. handle, dial and metal trim)	20
Depth of oven door when fully open (measured from front of control panel)	460

**CAVITY DIMENSIONS: STANDARD INSTALLATION**



ISO VIEW

	mm
(A) Minimum inside height of cavity	580
(B) Minimum inside width of cavity	560
(C) Minimum inside depth of cavity	550

The models shown in this Planning Guide may not be available in all markets and are subject to change at any time. Product specifications may vary from those shown. This Planning Guide should not be used as installation guidance for any product. Further information is required to safely and correctly install the products featured here. Specific installation guidance will be available on our website [fisherpaykel.com](http://fisherpaykel.com)



**OVERVIEW**

With timeless Contemporary styling, the compact Combination Steam Oven is designed to fit seamlessly into any kitchen. It features 18 functions, including steam-only, convection-only, or a combination of both. Reduce the need for oils and fats with five standalone steam functions, perfect for creating flavourful and healthy restaurant-quality meals at home. Beautiful to use, the intuitive interface and dial offer simple guided cooking, helping to ensure perfect results.

**PRODUCTS**

**OS60NDLX1** - Stainless Steel  
Combination Steam Oven, 60cm, 18 Function, Dial

**SERIES & STYLE**

Series 7  
Contemporary

**ACCESSORIES**

- ① Telescopic Sliding Runners
- ② Step Down Wire Shelf\*
- ③ Flat Wire Shelf\*
- ④ Unperforated Aluminium Baking Tray\*
- ⑤ Roasting Dish\*

**FEATURES**

- ① Contemporary style, designed to fit flush with cabinetry
- ② 55L total capacity
- ③ Intuitive 2.4" screen with illuminated dial
- ④ 18 oven functions, including four steam-only functions
- ⑤ Wired Temperature Sensor precisely monitors cooking in real time
- ⑥ Intuitive interface to ensure perfect results for your food type
- ⑦ Moisture control and even heat distribution thanks to ActiveVent and AeroTech™ technology
- ⑧ Motorised control panel reveals large 1.5L water tank
- ⑨ Soft open and close door

**ACCESSORIES**

- ⑥ Wire Grill Rack\*
- ⑦ Large Perforated Dish\*
- ⑧ Large Unperforated Dish\*
- ⑨ Wired Temperature Sensor\*
- ⑩ Descale Solution (2 sachets)\*

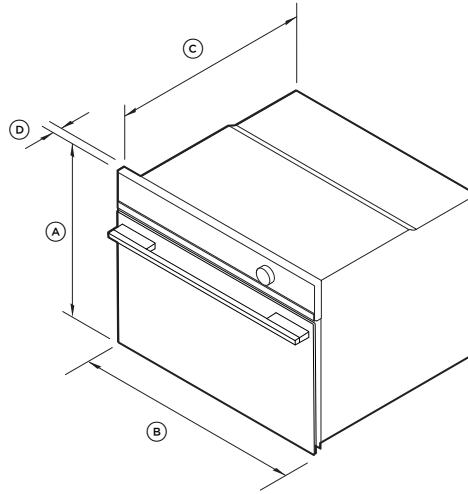
\*Included with product

The models shown in this Planning Guide may not be available in all markets and are subject to change at any time. Product specifications may vary from those shown. This Planning Guide should not be used as installation guidance for any product. Further information is required to safely and correctly install the products featured here. Specific installation guidance will be available on our website [fisherpaykel.com](http://fisherpaykel.com)

**SPECIFICATIONS**

<b>Model No.</b>	OS60NDLX1
<b>Dimensions</b>	<b>H</b> 458mm <b>W</b> 596mm <b>D</b> 565mm
<b>Total Oven Capacity</b>	55L
<b>Weight</b>	
Packaged	63kg
Unpackaged	39kg
<b>Electrical</b>	
Supply	220-240 V, 50 Hz
Service	16 A

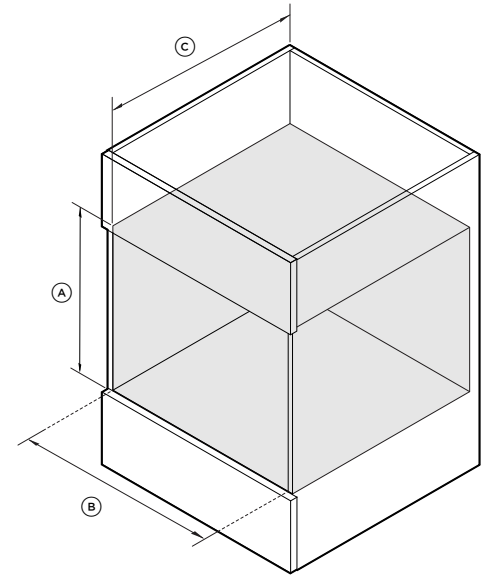
**PRODUCT DIMENSIONS**



ISO VIEW

	mm
(A) Overall height	458
(B) Overall width	596
(C) Depth of chassis	545
(D) Thickness of oven control panel (excl. handle, dial and metal trim)	20
Depth of oven door when fully open (measured from front of control panel)	320

**CAVITY DIMENSIONS: STANDARD INSTALLATION**



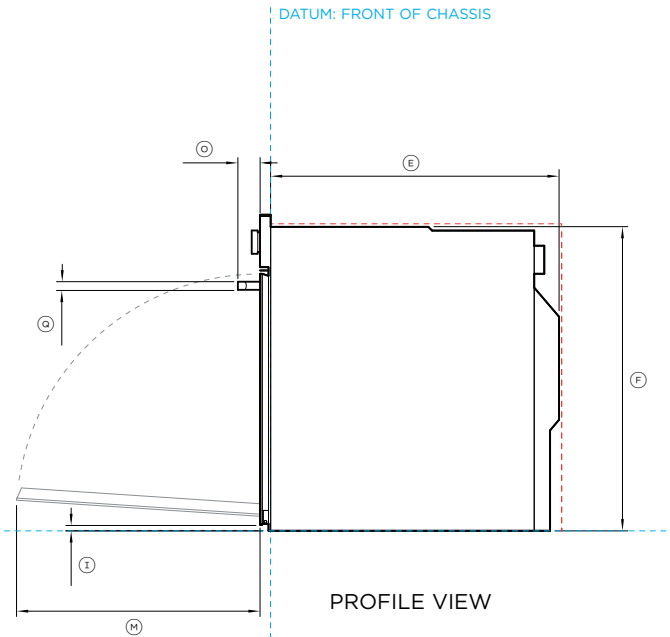
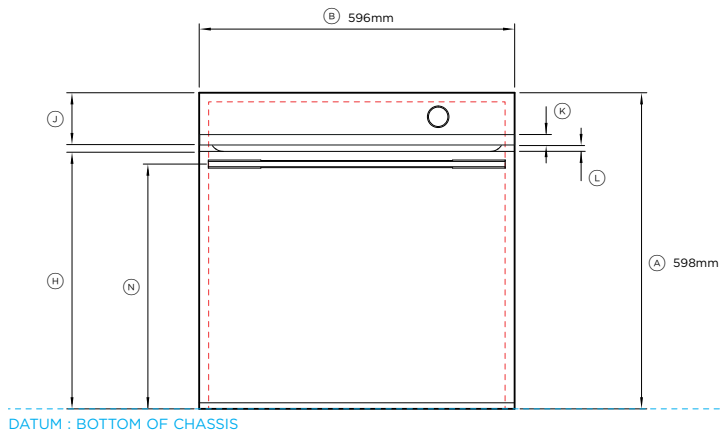
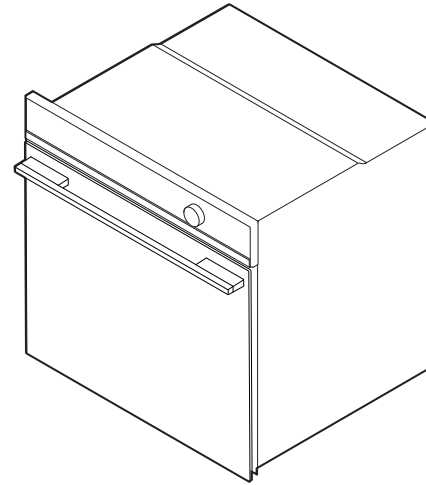
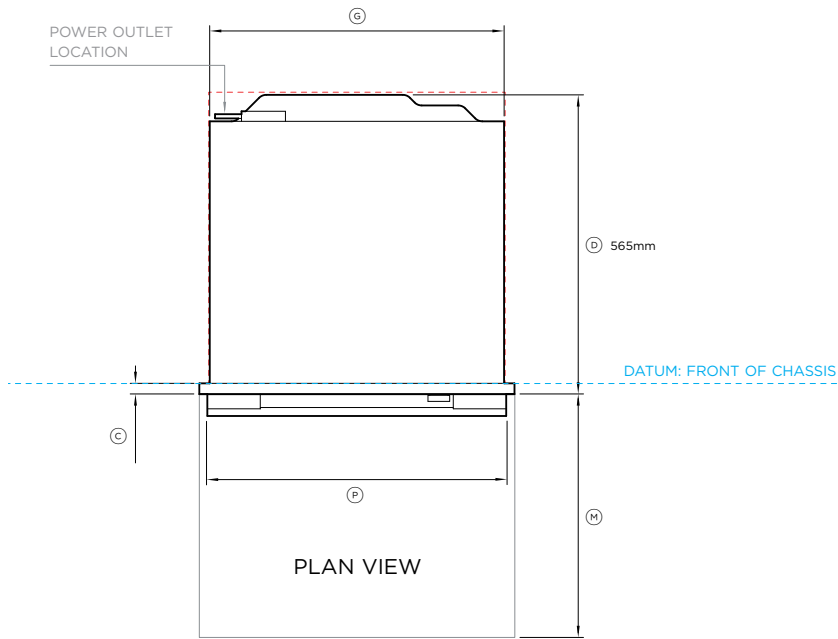
ISO VIEW

	mm
(A) Minimum inside height of cavity	440
(B) Minimum inside width of cavity	560
(C) Minimum inside depth of cavity	550

The models shown in this Planning Guide may not be available in all markets and are subject to change at any time. Product specifications may vary from those shown. This Planning Guide should not be used as installation guidance for any product. Further information is required to safely and correctly install the products featured here. Specific installation guidance will be available on our website [fisherpaykel.com](http://fisherpaykel.com)



## DATA SHEETS



**Model no:**

Oven, 60cm - OB60SD16PLX1, OB60SD9PLX1

**Product Dimensions**

	mm
A Overall height of product	598
B Overall width of product	596
C Depth of control panel (excludes dial, handle and metal trim)	20
D Depth of chassis and control panel (excludes dial, handle and metal trim)	565
E Depth of chassis	545
F Height of chassis	575
G Width of chassis	556
H Height from bottom datum to top of oven door	487
I Height from bottom datum to bottom of door	12
J Height of control panel	100
K Height of metal trim on control panel	20
L Gap between door and control panel	11
M Depth of door when open (measured from front of door)	460
N Height from bottom datum to centerline of handle	464
O Depth of handle (measured from front of door)	42
P Width of handle	565
Q Thickness of handle	16

**Minimum Clearances - Flush Installation**

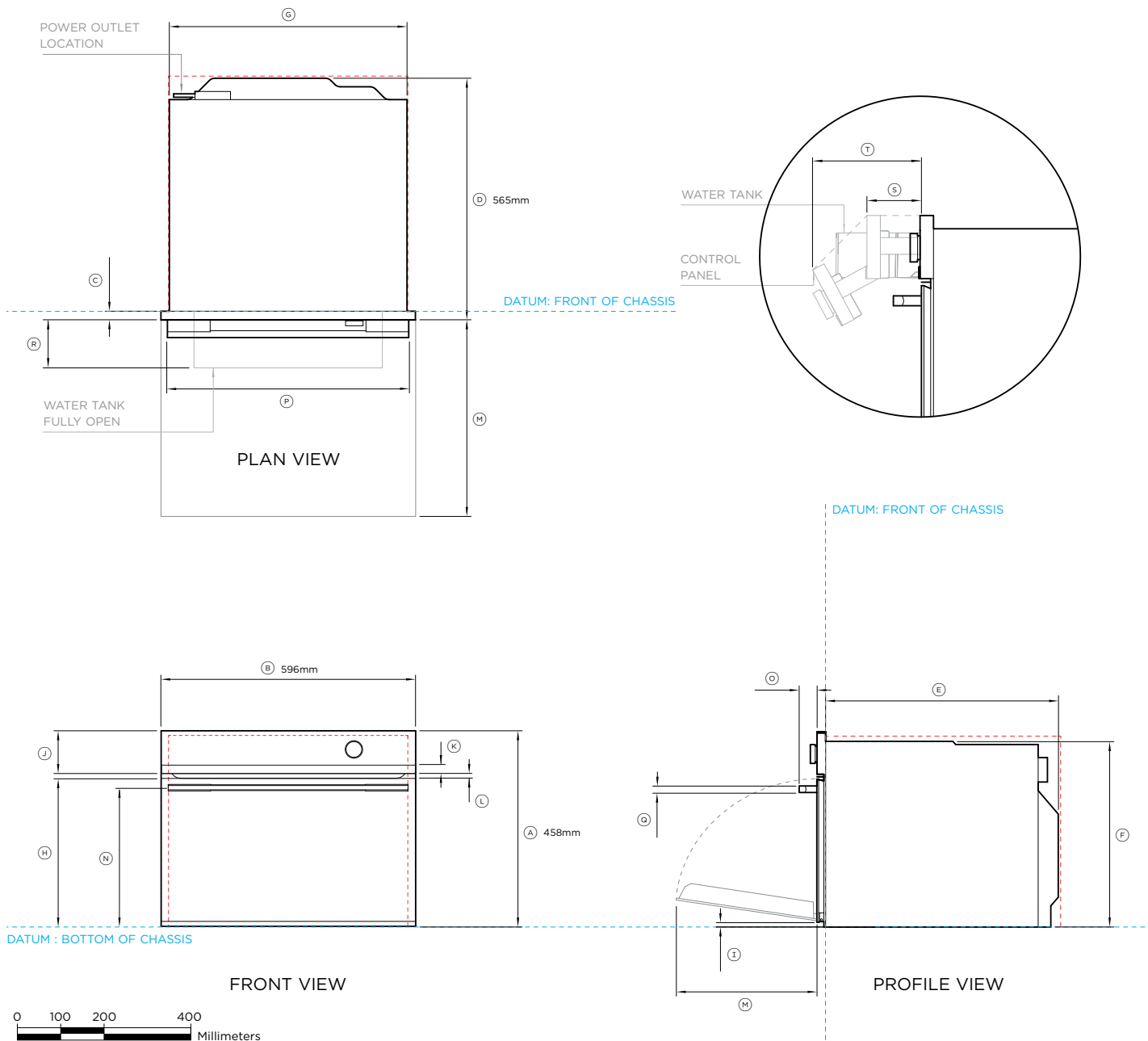
	mm
Minimum inside height of cavity	580
Minimum inside width of cavity	560
Minimum inside depth of cavity	550
Minimum clearances above oven control panel to upper cabinetry front panel or appliance	2
Minimum clearances between bottom of oven chassis to lower cabinetry front panel or appliance	2

Ensure a 5mm minimum clearance is maintained between the top of the oven chassis and the cabinetry. Ensure the oven is not bearing any weight from cabinetry or products installed above.

IMPORTANT NOTE: For full installation and clearance details please refer to our installation manual.

INDICATES PRODUCT DATUM -----  
INDICATES CABINETRY CLEARANCES - - - - -

IMPORTANT NOTE: Throughout this guide, dimensions may vary by ±2mm (1/16"). Please read the Installation Guide for detailed information on installing the product. For full installation instructions visit fisherpaykel.com



**Model no:**

Combination Steam Oven, 60cm - OS60NDLX1

**Product Dimensions**

	<b>mm</b>
A Overall height of product	458
B Overall width of product	596
C Depth of control panel (excludes dial, handle and metal trim)	20
D Depth of chassis and control panel (excludes dial, handle and metal trim)	565
E Depth of chassis	545
F Height of chassis	435
G Width of chassis	556
H Height from bottom datum to top of oven door	347
I Height from bottom datum to bottom of door	12
J Height of control panel	100
K Height of metal trim on control panel	20
L Gap between door and control panel	11
M Depth of door when open (measured from front of door)	320
N Height from bottom datum to centerline of handle	324
O Depth of handle (measured from front of door)	42
P Width of handle	565
Q Thickness of handle	16
R Control panel fully open (measured from front of door)	170
S Control panel half open (measured from front of door)	84
T Water tank carriage fully open (measured from front of door)	133

**Minimum Clearances - Flush Installation**

	<b>mm</b>
Minimum inside height of cavity	440
Minimum inside width of cavity	560
Minimum inside depth of cavity	550
Minimum clearances above oven control panel to upper cabinetry front panel or appliance	2
Minimum clearances between bottom of oven chassis to lower cabinetry front panel or appliance	2

Ensure a 5mm minimum clearance is maintained between the top of the oven chassis and the cabinetry. Ensure the oven is not bearing any weight from cabinetry or products installed above.

IMPORTANT NOTE: For full installation and clearance details please refer to our installation manual.

INDICATES PRODUCT DATUM -----  
 INDICATES CABINETRY CLEARANCES - - - - -

IMPORTANT NOTE: Throughout this guide, dimensions may vary by ±2mm (1/16"). Please read the Installation Guide for detailed information on installing the product. For full installation instructions visit fisherpaykel.com

